

NCP5201

Dual Output DDR Power Controller

The NCP5201 Dual DDR Power Controller is specifically designed as a total power solution for a high current DDR memory system. This IC combines the efficiency of a PWM controller for the VDDQ supply with the simplicity of a linear regulator for the VTT memory termination voltage. The secondary regulator (VTT) is designed to automatically track at half the primary regulator voltage (VDDQ). An internal power good voltage monitor tracks both VDDQ and VTT outputs and notifies the user in the event of a fault on either output. Protective features include soft-start circuitry and undervoltage monitoring of VCC and VSTBY. The IC is packaged in a 5 × 6 QFN-18.

Features

- Incorporates VDDQ, VTT Regulators
- Internal Switching Standby Regulator for VDDQ
- All External Power MOSFETs Are N-Channel
- Adjustable VDDQ
- VTT Tracks VDDQ/2
- Fixed Switching Frequency of 250 kHz for VDDQ in Normal Mode
- Doubled Switching Frequency (500 kHz) for Standby Mode
- Soft-Start Protection for VDDQ
- Undervoltage Monitor
- Short-Circuit Protection for Both VDDQ and VTT Outputs
- Housed in a space saving 5 × 6 QFN-18
- Pb-Free Packages are Available*

Typical Applications

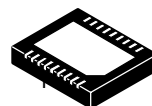
- DDR Termination Voltage
- Active Termination Busses (SSTL-2, SSTL-3)



ON Semiconductor®

<http://onsemi.com>

MARKING DIAGRAM



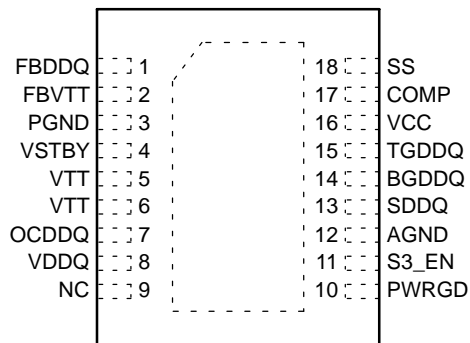
18-LEAD QFN, 5 x 6 mm
MN SUFFIX
CASE 505



A = Assembly Location
WL = Wafer Lot
YY = Year
WW = Work Week
■ = Pb-Free Package

(Note: Microdot may be in either location)

PIN CONNECTIONS



NOTE: Pin 19 is the thermal pad on the bottom of the device.

ORDERING INFORMATION

| Device | Package | Shipping† |
|--------------|--------------------------|------------------|
| NCP5201MN | 18-Lead QFN | 61 Units / Rail |
| NCP5201MNG | 18-Lead QFN (Pb-Free) | 61 Units / Rail |
| NCP5201MNR2 | 18-Lead QFN | 2500/Tape & Reel |
| NCP5201MNR2G | 18-Lead QFN (Pb-Free) | 2500/Tape & Reel |

†For information on tape and reel specifications, including part orientation and tape sizes, please refer to our Tape and Reel Packaging Specifications Brochure, BRD8011/D.

*For additional information on our Pb-Free strategy and soldering details, please download the ON Semiconductor Soldering and Mounting Techniques Reference Manual, SOLDERRM/D.

NCP5201

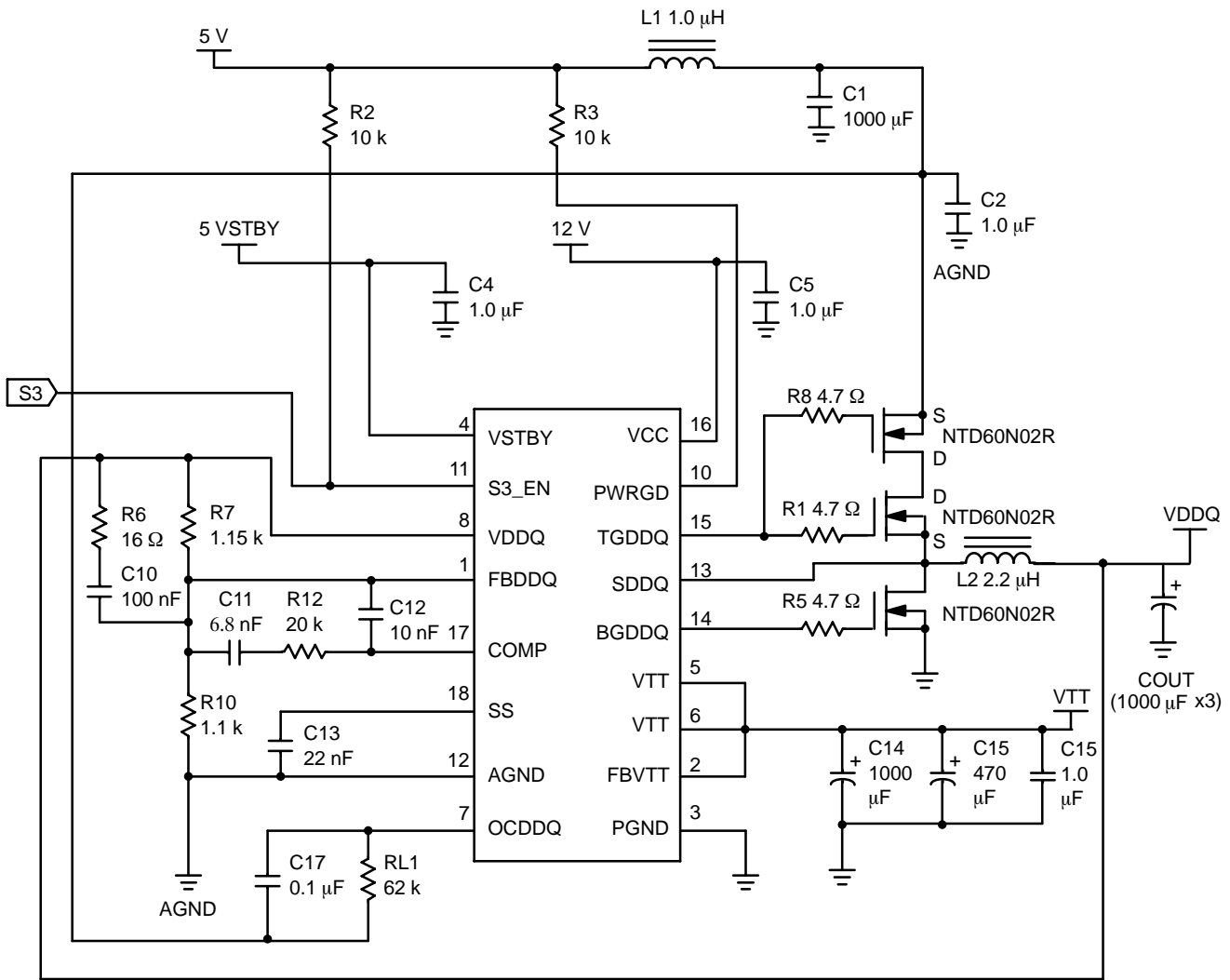


Figure 1. Application Diagram

MAXIMUM RATINGS

| Rating | Symbol | Value | Unit |
|---|------------------|-----------------------------------|------|
| Power Supply Voltage (Pin 4) to PGND (Pin 3) and GND (Pin 12) | VSTBY | -0.3, 6.0 | V |
| Power Supply Voltage, VCC (Pin 16) to PGND (Pin 3) and GND (Pin 12) | VCC | -0.3, 14 | V |
| Gate Drive Voltage (Pins 14, 15) | V _g | -0.3 DC, -4.0 for < 1.0 μs; 14 | V |
| Input/Output Pins (Pins 1, 2, 5-11, 13, 17-18) | V _{IO} | -0.3, 6.0 | V |
| Package Thermal Resistance, Junction-to-Ambient | R _{θJA} | 35 | °C/W |
| Operating Junction Temperature Range | T _J | 0 to +150 | °C |
| Operating Ambient Temperature Range | T _A | 0 to +70 | °C |
| Storage Temperature Range | T _{stg} | -55 to +150 | °C |
| Moisture Sensitivity Level | MSL | 2 | |

Stresses exceeding Maximum Ratings may damage the device. Maximum Ratings are stress ratings only. Functional operation above the Recommended Operating Conditions is not implied. Extended exposure to stresses above the Recommended Operating Conditions may affect device reliability.

- This device series contains ESD protection and exceeds the following tests:
Human Body Model (HBM) ≤ 2.0 kV per JEDEC Standard JESD22-A114 except Pin 15 which is ≤ 1.5 kV.
Machine Model (MM) ≤ 200 V per JEDEC Standard JESD22-A115 except Pin 14 which is ≤ 100 V.
- Latchup Current Maximum Rating: ≤ 150 mA per JEDEC Standard JESD78.

NCP5201

ELECTRICAL CHARACTERISTICS (VSTBY = 5.0 V, VCC = 12 V, T_A = 0 to 70°C, L2 = 1.7 μH, COUT = 3770 μF, COUT2 = 220 μF, RL1 = 100 kΩ, R7 = 1.0 kΩ, R10 = 1.0 k, R12 = 20 kΩ, R6 = 16 Ω, C12 = 3.0 nF, C11 = 6.0 nF, C10 = 80 nF, for min/max values unless otherwise noted)

| Characteristic | Symbol | Test Conditions | Min | Typ | Max | Unit |
|----------------|--------|-----------------|-----|-----|-----|------|
|----------------|--------|-----------------|-----|-----|-----|------|

SUPPLY CURRENT

| | | | | | | |
|-----------------------------------|--------|--|---|---|-----|----|
| S0 Mode Supply Current from VSTBY | IST_S0 | S3_EN = LOW, VCC = 12 V | – | – | 8.0 | mA |
| S3 Mode Supply Current from VSTBY | IST_S3 | S3_EN = HIGH, VCC = 0 V | – | – | 4.0 | mA |
| S0 Mode Supply Current from VCC | ICC_S0 | EN = HIGH, VCC = 12 V, 2.0 nF Capacitive Load to TGDDQ and BGDDQ | – | – | 30 | mA |

UNDERVOLTAGE MONITOR

| | | | | | | |
|--|-------------------|---|---|------|---|---|
| VSTBY UVLO Lower Threshold | VSBUV– | – | – | 4.25 | – | V |
| Ratio of VSTBY UVLO Upper to Lower Threshold | VSBUV+/ VSBUV– | – | – | 1.05 | – | – |
| VCC UV Monitor Lower Threshold | VCCUV– | – | – | 9.23 | – | V |
| Ratio of VCC UV Monitor Upper to Lower Threshold | VCCUV+/ VCCUV– | – | – | 1.14 | – | – |

VDDQ SWITCHING REGULATOR

| | | | | | | |
|--|------|---|----------------|------------|----------------|--------|
| FBDDQ Feedback Voltage, Control Loop in Regulation | VFBQ | T _A = 25°C T _A = 0 to 70°C | 1.271 1.264 | 1.300 – | 1.326 1.333 | V V |
| Feedback Input Current | lfb | V(FBDDQ) = 1.3 V | – | – | 0.5 | μA |
| Oscillator Frequency in S0 Mode | F | – | 225 | 250 | 275 | kHz |
| OCDDQ Pin Current Sink | IOC | V(OCDDQ) = 4.0 V | 6.0 | 10 | 14 | μA |
| Minimum Duty Cycle | Dmin | – | 0 | – | – | % |
| Maximum Duty Cycle | Dmax | – | – | – | 100 | % |
| Soft–Start Timing | tss1 | C _{SS} = 33 nF | 10 | 16 | – | ms |

VDDQ STANDBY REGULATOR

| | | | | | | |
|--|-----------|---|----------------|------------|----------------|--------|
| FBDDQ Feedback Voltage, Control Loop in Regulation | VFBQ | T _A = 25°C T _A = 0 to 70°C | 1.281 1.274 | 1.300 – | 1.319 1.326 | V V |
| Load Regulation | LOADreg | ILOAD from 50 mA to 650 mA | – | 0.4 | – | % |
| Peak Current Limit | ILIMstbpk | – | – | 2.0 | – | A |
| Peak Current Limit Blanking Time | tbk | – | 400 | – | – | ns |
| Oscillator Frequency in S3 Mode | Fstb | – | – | 500 | – | kHz |

VDDQ ERROR AMPLIFIER

| | | | | | | |
|----------------------|------|--|---|-----|---|------|
| DC Gain | GAIN | – | – | 70 | – | dB |
| Unity Gain Bandwidth | Ft | COMP_GND = 200 nF, 1.0 Ω in series (Test circuit only) | – | 2.0 | – | MHz |
| Slew Rate | SR | COMP_GND = 10 pF | – | 8.0 | – | V/μs |

VTT ACTIVE TERMINATOR

| | | | | | | |
|--------------------------------|-----------|--|----------|--------|---------|----------|
| VTT Tracking VDDQ/2 at S0 Mode | dVTT0 | VDDQ/2 – VTT, IOUT = 1.8 A (Sink Current) IOUT = –1.8 A (Source Current) | –30 – | – – | – 30 | mV mV |
| Source Current Limit | ILIMVTSrc | – | – | –2.3 | – | A |
| Sink Current Limit | ILIMVTSnk | – | – | 2.3 | – | A |

3. Guaranteed by design, not tested in production.

NCP5201

ELECTRICAL CHARACTERISTICS (VSTBY = 5.0 V, VCC = 12 V, T_A = 0 to 70°C, L2 = 1.7 μH, COUT = 3770 μF, COUT2 = 220 μF, RL1 = 100 kΩ, R7 = 1.0 kΩ, R10 = 1.0 k, R12 = 20 kΩ, R6 = 16 Ω, C12 = 3.0 nF, C11 = 6.0 nF, C10 = 80 nF, for min/max values unless otherwise noted)

| Characteristic | Symbol | Test Conditions | Min | Typ | Max | Unit |
|----------------|--------|-----------------|-----|-----|-----|------|
|----------------|--------|-----------------|-----|-----|-----|------|

CONTROL SECTION

| | | | | | | |
|---|---|------------|-----|---|-----|----|
| S3_EN Pin Threshold HIGH | – | S3_EN_H | 1.4 | – | – | V |
| S3_EN Pin Threshold LOW | – | S3_EN_L | – | – | 0.5 | V |
| S3_EN Pin Input Current | – | IIN_EN | – | – | 0.5 | μA |
| PWRGD Pin ON Resistance | – | PWRGD_R | – | – | 80 | Ω |
| PWRGD Pin OFF Current | – | PWRGD_LEAK | – | – | 1.0 | μA |
| PWRGD LOW-to-HIGH Hold Time, For S3 to S0 or S5 to S0 | – | thold | – | – | 200 | μs |

GATE DRIVERS

| | | | | | | |
|---------------------------------|---------------------------------|-------|---|-----|---|---|
| TGDDQ Gate Pull-HIGH Resistance | VCC = 12 V, V(TGDDQ) = 11 V | RH_TG | – | 3.0 | – | Ω |
| TGDDQ Gate Pull-LOW Resistance | VCC = 12 V, V(TGDDQ) = 1.0 V | RL_TG | – | 2.5 | – | Ω |
| BGDDQ Gate Pull-HIGH Resistance | VCC = 12 V, V(BGDDQ) = 11 V | RH_BG | – | 3.0 | – | Ω |
| BGDDQ Gate Pull-LOW Resistance | VCC = 12 V, V(BGDDQ) = 1.0 V | RL_BG | – | 1.3 | – | Ω |

PIN DESCRIPTION

| Pin No. | Symbol | Description |
|---------|--------|---|
| 1 | FBDDQ | VDDQ feedback pin for closed loop regulation. |
| 2 | FBVTT | VTT regulator sense voltage. |
| 3 | PGND | Power ground. |
| 4 | VSTBY | 5 V Standby input voltage. |
| 5, 6 | VTT | VTT regulator output. |
| 7 | OCDDQ | Overcurrent sense and program input for the VDDQ high-side FET. |
| 8 | VDDQ | Reference input and power stage input for VTT regulator. |
| 9 | NC | Not connected. |
| 10 | PWRGD | Open drain status output. High impedance when the product is operating in S0 state and both DDQ and VTT regulators are in compliance. |
| 11 | S3_EN | S3 mode enable input. High to enable. |
| 12 | AGND | Analog ground connection and remote ground sense. |
| 13 | SDDQ | Inductor driven node and current limit sense input. |
| 14 | BGDDQ | Gate driver output, VDDQ Low-Side N-Channel Power FET. Active during S0 mode. |
| 15 | TGDDQ | Gate driver output, VDDQ High-Side N-Channel Power FET. Active during S0 mode. |
| 16 | VCC | 12 Volt input supply. This voltage is monitored by power good circuitry for mode selection. |
| 17 | COMP | VDDQ error amplifier compensation node. |
| 18 | SS | Soft-start capacitor connection to ground. |
| 19 | TH_PAD | Copper pad on bottom of IC used for heatsinking. This pin should be connected to the ground plane under the IC. |

NCP5201

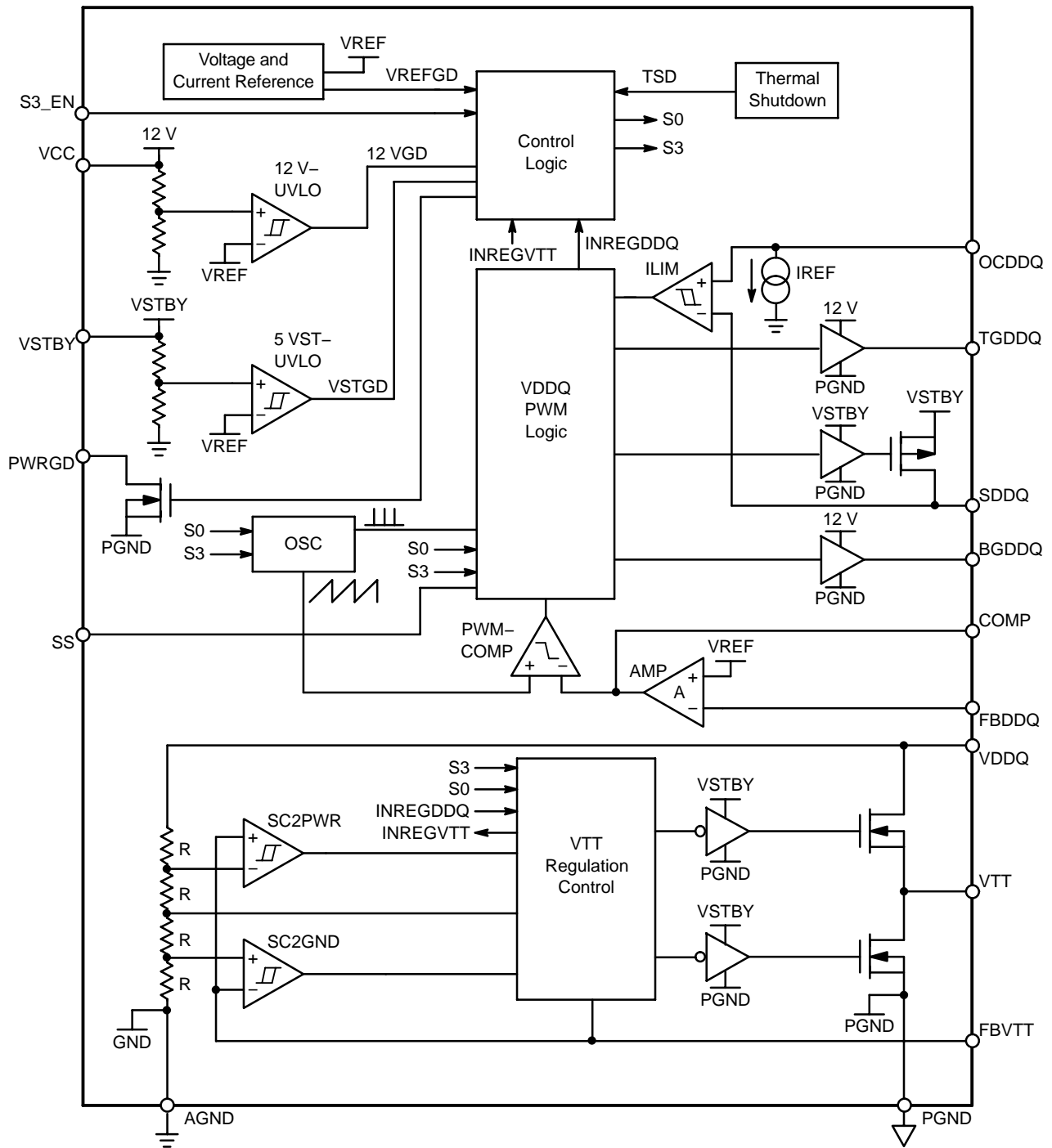


Figure 2. Internal Block Diagram

DETAILED OPERATION DESCRIPTIONS

General

The NCP5201 Dual DDR Power Controller combines the efficiency of a PWM controller for the VDDQ supply with the simplicity of a linear regulator for the VTT memory termination voltage. VTT is designed to automatically track at half VDDQ.

The inclusion of an internal PWM switching FET for VDDQ standby operation, both VDDQ and VTT power good voltage monitors, soft-start, undervoltage detection, and thermal shutdown, make this device a total power solution for high current DDR memory systems. The IC is packaged in 5 × 6 QFN-18.

IC Control States

The state decode logic and internal control functions are powered by 5.0 V VSTBY. An internal voltage reference and bias current block is enabled when VSTBY exceeds

3.8 V. Once VREF reaches its regulation voltage, internal signal $_VREFGD$ will be asserted HIGH. This transition wakes up the voltage monitor block, which in turn detects whether the VSTBY and VCC voltages are within certain preset regulation levels. If they are, the voltage monitor generates an internal HIGH VSTGD and 12 VGD respectively.

There is an internal detection for 100% duty cycle of TGDDQ switching, if it occurs, an internal signal MAXDTY is asserted HIGH.

The logic control block accepts an external signal at the S3_EN pin and internal voltage monitor signals MXDTY, 12 VGD and VSTGD to decode the operating states in accordance with Table 1. PWRGD is an open-drain logic output that signifies VDDQ and VTT are both in regulation in the S0 mode.

Table 1. Control Logic State Truth Table

| Input Conditions | | | | Operation Mode | |
|------------------|-------|--------|--------|----------------|------|
| VSTGD | S3_EN | 12 VGD | MAXDTY | Prev. | Next |
| Low | X | X | X | X | S5 |
| High | Low | Low | X | X | S5 |
| High | Low | High | X | X | S0 |
| High | High | High | Low | S0 | S0 |
| High | High | X | High | S0 | S3 |
| High | High | Low | X | S0 | S3 |
| High | High | X | X | S3 | S3 |

VDDQ Regulator in Normal (S0) mode

The VDDQ regulator in S0 mode is a switching synchronous rectification buck controller directly driving two external N-Channel power FETs. An external resistor divider sets the nominal output voltage. The control architecture is voltage mode fixed frequency PWM with external compensation, and with switching frequency fixed at 250 kHz ±10%. As can be observed from Figure 1, the VDDQ output voltage is divided down and fed back to pin FBDDQ. This voltage connects to the inverting input of the internal error amplifier while the amplifier’s noninverting input is connected to an internal voltage reference, VREF (= 1.3 V). The amplifier compares the feedback voltage to VREF and outputs an error signal to the PWM comparator. This error signal is compared with a fixed frequency RAMP waveform derived from the internal oscillator to generate a pulse-width-modulated signal. This PWM signal drives the external N-Channel Power FETs via the TGDDQ and BGDDQ pins. External inductor L and COUT1 filter the output waveform, which is subsequently fed back to FBDDQ via a resistor voltage

divider to close the loop at $VDDQ = VFBQ (1 + R2/R1)$. An adjustable soft-start is implemented, activated each time the IC exits state S5. When in normal mode, and regulation of VDDQ is detected, signal INREGDDQ will go HIGH to notify the Control Logic block.

Tolerance of VDDQ

The tolerance of VFBQ and the ratio of external resistor divider R7/R10 both impact the precision of VDDQ. With the control loop in regulation, $VDDQ = (VFBQ) (1 + R7/R10)$. With a worst case (for all valid operating conditions) VFBQ tolerance of ±2%, a worst case range of ±2.5% for VDDQ will be assured if the ratio R7/R10 is specified as $0.9230 \pm 1\%$.

Synchronous Rectification

For enhanced efficiency, an active synchronous switch is used to eliminate the conduction loss contributed by the forward voltage of a diode or Schottky diode rectifier. Adaptive nonoverlap timing control of the complementary gate drive output signals is provided to reduce large shoot-through currents, which degrade efficiency.

VDDQ Regulator in Standby Mode (S3)

An internal P–Channel power FET switching at 500 kHz (doubled frequency), with peak current limit preset at 2.0 A, provides nonsynchronous switch–mode control while in the S3 state. In this mode, the internal P–Channel power FET derives its source from the 5 VSTBY pin. The 2.0 A peak current limit is designed to yield an average output current limit of 700 mA when using a 1.7 μH output inductor. When using this value inductor, the regulator will

operate in discontinuous conduction mode (DCM) in the S3 state. And, switching in doubled frequency (500 kHz) is to reduce the peak conduction current. In this operating mode, the body diode of the external synchronous MOSFET acts as a flywheel diode and the MOSFET is never turned on. TGDDQ and BGDDQ are set Low to disable the external switches. Nominal output voltage and the PWM control scheme of Normal mode still apply.

Table 2. States, Operation and Output Pin Conditions

| Operation Mode | Operating Conditions | | Output Pin Conditions | | |
|----------------|----------------------|--------|-----------------------|--------|-------|
| | VDDQ | VTT | TGDDQ | BGDDQ | PWRGD |
| S0 | Normal | Normal | Normal | Normal | H–Z |
| S3 | Standby | H–Z | Low | Low | Low |
| S5 | H–Z | H–Z | Low | Low | Low |

Fault Protection of VDDQ Regulator

During state S0, external resistor (RL1) sets current limit for the high–side switch. An internal 10 μA current sink at pin OCDDQ establishes the voltage drop across this resistor, which is compared to the voltage at the SDDQ pin when the high–side drive is high, and after a fixed period (500 ns) of blanking time to avoid false current limit triggering. When the voltage at SDDQ is lower than that at OCDDQ, an overcurrent condition occurs, both FETs are latched–off until the IC goes into S5 then S0, VDDQ will soft–start again. This protects against a short–to–ground condition on SDDQ or VDDQ.

During state S3, the internal P–Channel power FET is activated and switching. If the conduction current of the FET is higher than 2.0 A after a fixed period (~500 ns) of blanking time, an overcurrent condition occurs, and the FET is turned off for the remainder of that switching cycle.

Feedback Compensation of VDDQ Regulator

The compensation network is shown in Figure 1.

VTT Active Terminator in Normal Mode (S0)

The VTT regulator is a two–quadrant linear regulator with internal N–channel power FETs to provide transient current sink and source capability up to 1.8 A. This output is activated in normal mode in state S0 when VDDQ is in regulation. It is in standby mode in state S3. When in normal mode and VTT is in regulation, signal INREGVTT

will go HIGH to notify the control logic block. The input power path is from VDDQ. Gate drive power is derived from VSTBY. VTT is stable with any value of output capacitor greater than 220 μF, and is insensitive to ESR value ranging 2 mΩ to 400 mΩ.

VTT Active Terminator in Standby Mode (S3)

VTT output is high–impedance in S3 mode.

Fault Protection of VTT Active Terminator

To provide protection for the internal FETs, bidirectional current limit is implemented, preset at 2.3 A magnitude.

Thermal Consideration of VTT Active Terminator

The VTT terminator is designed to handle large transient output currents. If large currents are required for very long durations, then care should be taken to ensure the maximum junction temperature is not exceeded. The 5 × 6 QFN–18 has a thermal resistance 35°C/W (dependent on air flow, grade of copper and number of VIAs).

Undervoltage Monitor

The IC monitors VSTBY and VCC. If VSTBY is higher than its preset threshold (derived from VREF, with hysteresis), _VSTGD is set HIGH. Operation is identical for VCC and _12 VGD. The CONTROL LOGIC accepts both _VSTGD and _12 VGD to determine the state of the IC.

NCP5201

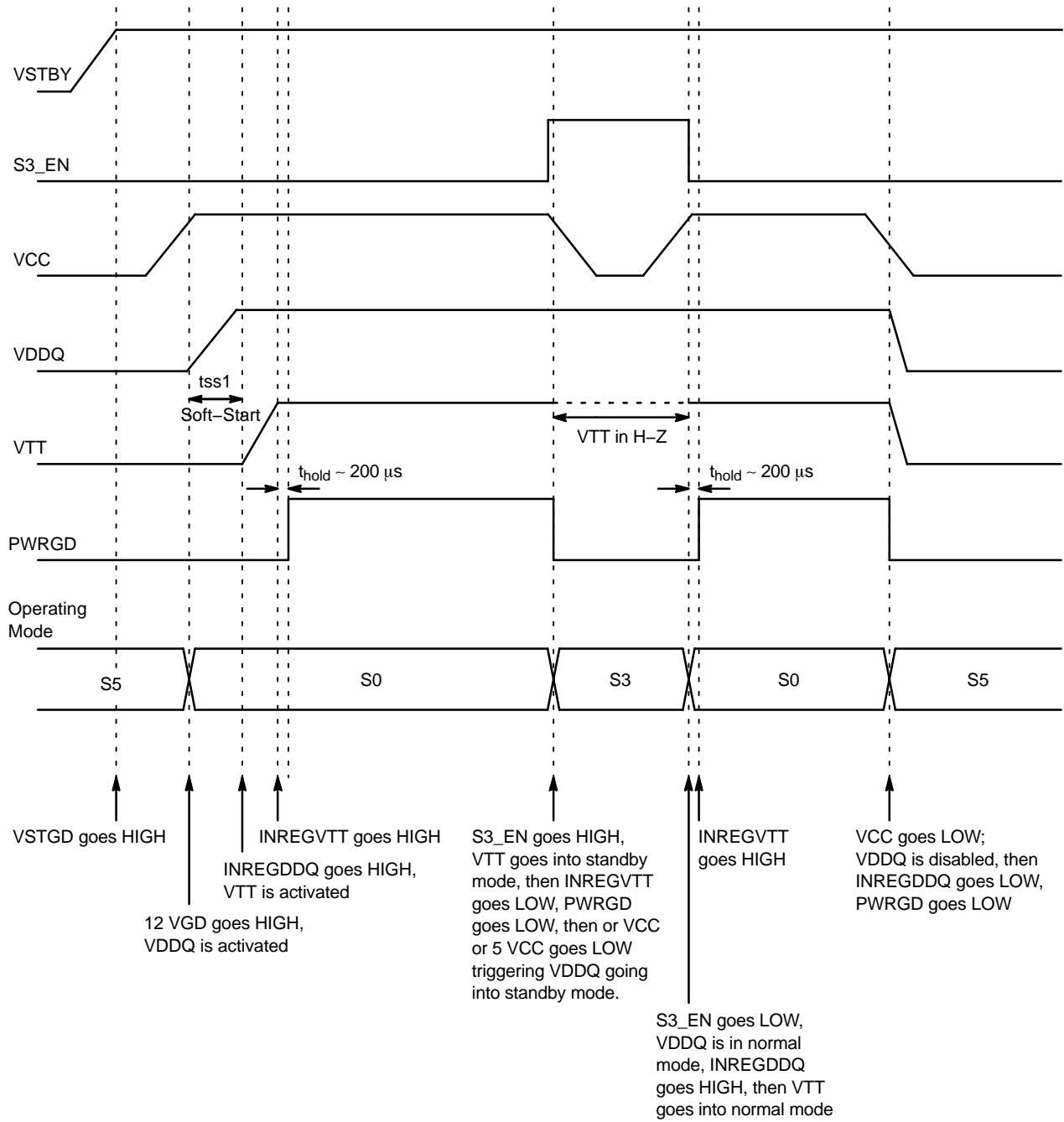
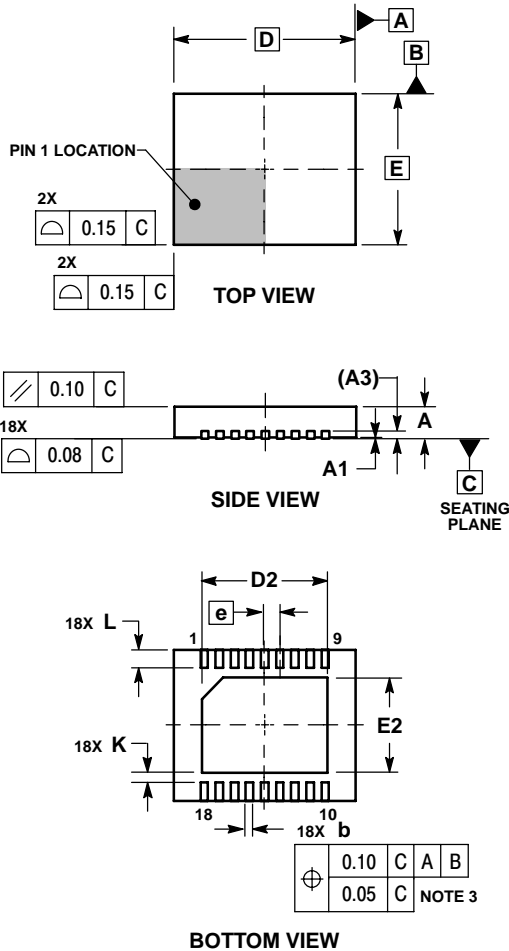


Figure 3. Power-Up and Power-Down Timing Diagram

NCP5201

PACKAGE DIMENSIONS

DFN-18
CASE 505-01
ISSUE B



NOTES:

1. DIMENSIONS AND TOLERANCING PER ASME Y14.5M, 1994.
2. DIMENSIONS IN MILLIMETERS.
3. DIMENSION b APPLIES TO PLATED TERMINAL AND IS MEASURED BETWEEN 0.25 AND 0.30 MM FROM TERMINAL
4. COPLANARITY APPLIES TO THE EXPOSED PAD AS WELL AS THE TERMINALS.

| DIM | MILLIMETERS | |
|-----|-------------|------|
| | MIN | MAX |
| A | 0.80 | 1.00 |
| A1 | 0.00 | 0.05 |
| A3 | 0.20 | REF |
| b | 0.18 | 0.30 |
| D | 6.00 | BSC |
| D2 | 3.98 | 4.28 |
| E | 5.00 | BSC |
| E2 | 2.98 | 3.28 |
| e | 0.50 | BSC |
| K | 0.20 | --- |
| L | 0.45 | 0.65 |

ON Semiconductor and are registered trademarks of Semiconductor Components Industries, LLC (SCILLC). SCILLC reserves the right to make changes without further notice to any products herein. SCILLC makes no warranty, representation or guarantee regarding the suitability of its products for any particular purpose, nor does SCILLC assume any liability arising out of the application or use of any product or circuit, and specifically disclaims any and all liability, including without limitation special, consequential or incidental damages. "Typical" parameters which may be provided in SCILLC data sheets and/or specifications can and do vary in different applications and actual performance may vary over time. All operating parameters, including "Typicals" must be validated for each customer application by customer's technical experts. SCILLC does not convey any license under its patent rights nor the rights of others. SCILLC products are not designed, intended, or authorized for use as components in systems intended for surgical implant into the body, or other applications intended to support or sustain life, or for any other application in which the failure of the SCILLC product could create a situation where personal injury or death may occur. Should Buyer purchase or use SCILLC products for any such unintended or unauthorized application, Buyer shall indemnify and hold SCILLC and its officers, employees, subsidiaries, affiliates, and distributors harmless against all claims, costs, damages, and expenses, and reasonable attorney fees arising out of, directly or indirectly, any claim of personal injury or death associated with such unintended or unauthorized use, even if such claim alleges that SCILLC was negligent regarding the design or manufacture of the part. SCILLC is an Equal Opportunity/Affirmative Action Employer. This literature is subject to all applicable copyright laws and is not for resale in any manner.

PUBLICATION ORDERING INFORMATION

LITERATURE FULFILLMENT:
Literature Distribution Center for ON Semiconductor
P.O. Box 5163, Denver, Colorado 80217 USA
Phone: 303-675-2175 or 800-344-3860 Toll Free USA/Canada
Fax: 303-675-2176 or 800-344-3867 Toll Free USA/Canada
Email: orderlit@onsemi.com

N. American Technical Support: 800-282-9855 Toll Free
USA/Canada
Europe, Middle East and Africa Technical Support:
Phone: 421 33 790 2910
Japan Customer Focus Center
Phone: 81-3-5773-3850

ON Semiconductor Website: www.onsemi.com
Order Literature: <http://www.onsemi.com/orderlit>

For additional information, please contact your local Sales Representative